

# Solarspot D-90

## Tubular daylighting system

This system is designed for larger areas or buildings with high ceiling levels generally like those used for manufacturing, retail or warehousing. The system can be used singly or in multiples to light larger areas where access to natural light is restricted. At 900mm in diameter, the D-90 requires minimum ceiling heights of around 8m and will light an area of up to 95sqm.

### Solarspot D-90 application examples

- Foyers and atrium spaces
- Shopping centre thoroughfares
- Larger corridors and stairwells
- Manufacturing and warehousing
- Retail sheds

### Solarspot D-90 accessories and components

- Available in two-part base kits and lamp kits
- Extension tubes available; 300, 400, 600 & 1200mm
- Electronic damping available
- Combined intelligent LED options
- Integrated low-energy light kits
- Full range ceiling diffusers

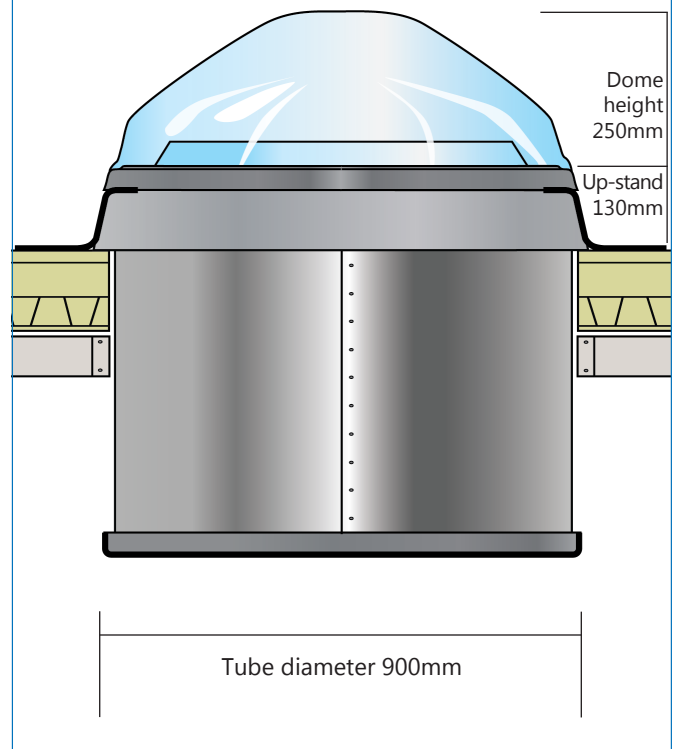
### Solarspot D-90 system benefits

- Convax double-glazed dome for superior thermal performance
- Integrated RIR light funnel for increased daylight capture in all light conditions
- Vegalux extensions - 99.7% reflectivity on all components
- All systems supplied fully assembled fast and easy installation (excludes extension tubes)



**The D-90 is available with round spun aluminium flat roof flashings or square seamless flashings for curbed up stands**

Example: Solarspot D-90 open-ceiling lamp system. Options are available for flat and pitched roofs and tube lengths up to 30m.



### System specification - Solarspot D-90

|                             |       |
|-----------------------------|-------|
| Tube diameter               | 900mm |
| Recommended for areas up to | 95sqm |
| Potential tube length       | 30m   |
| Efficiency rating (2.2m)    | 70%   |

Acrylic Cristal dome or polycarbonate to order  
 Polycarbonate inner anti-condensation lens  
 Vegalux reflective tubing - 99.7%  
 Flashings in spun or sheet aluminised steel

### Available in a range of ceiling diffuser options

Collarless diffusers for open ceiling applications  
 Dress ring diffusers for plasterboard ceilings  
 Square diffusers for plasterboard or suspended ceilings

Diffuser finishes; Prismatic, Radial and Vision.  
 Lenses in acrylic or polycarbonate. Models vary.