

Solarspot D-65

Tubular daylighting system

This system is designed for office, classroom and commercial applications as well as larger areas of manufacturing, retail or warehouses. It can also be used in multiples to light larger areas when access through the building fabric is restricted. At 650mm in diameter, the D-65 will fit into most commercial building structures avoiding any need for structural alterations.

Solarspot D-65 Application examples

- Offices, meeting rooms, foyers
- Classrooms
- Larger corridors and stairwells
- Manufacturing and warehousing
- Retail, hospitals, surgeries etc

Solarspot D-65 accessories and components

- Available in 400, 600 and 1200mm basekits
- Extension tubes available; 300, 400, 600 & 1200mm
- Electronic damping available
- Combined intelligent LED options
- Integrated low-energy light kits
- Full range of round, square and open-ceiling diffusers

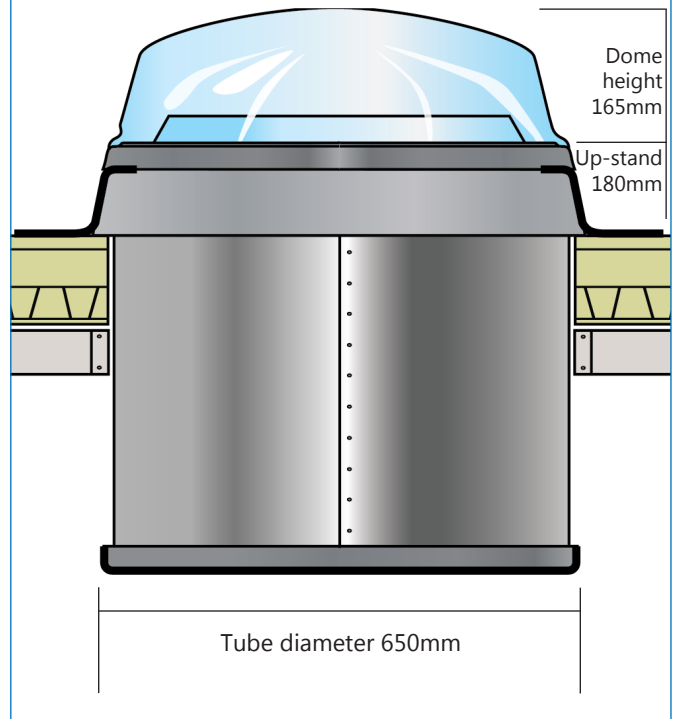
Solarspot D-65 system benefits

- Canvas double-glazed dome for superior thermal performance
- Integrated RIR light funnel for increased daylight capture in all light conditions
- Vegalux extensions and adjustable angles - 99.7% reflectivity on all components
- All systems supplied fully assembled fast and easy installation (excludes extension tubes)



The D-65 is available with a range of flashings for integration into virtually any roof type

Example: Solarspot D-65 open-ceiling lamp system. Options are available for flat and pitched roofs and tube lengths up to 22m.



System specification - Solarspot D-65

Tube diameter	650mm
Recommended for areas up to	50sqm
Potential tube length	22m
Efficiency rating (2.2m)	70%

Acrylic Cristal dome or polycarbonate to order
 Polycarbonate inner anti-condensation lens
 Vegalux reflective tubing - 99.7%
 Flashings in spun aluminised steel



Available in a range of ceiling diffuser options

Collarless diffusers for open ceiling applications
 Dress ring diffusers for plasterboard ceilings
 Square diffusers for plasterboard or suspended ceilings

Diffuser finishes; Prismatic, Perlato, Radial and Vision.
 Lenses in acrylic or polycarbonate. Models vary.