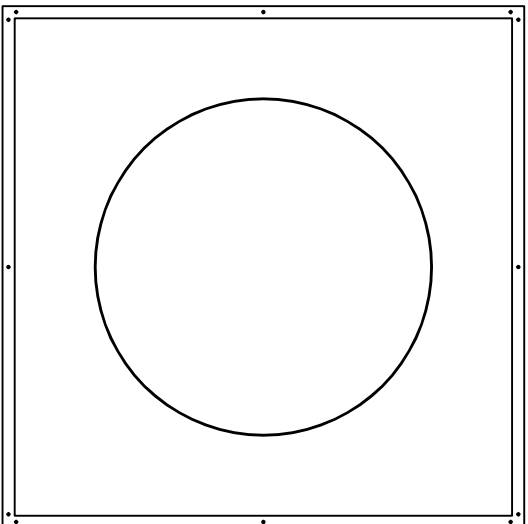
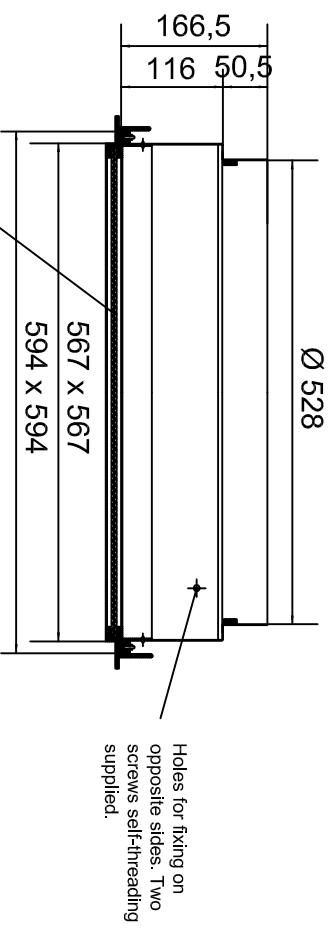
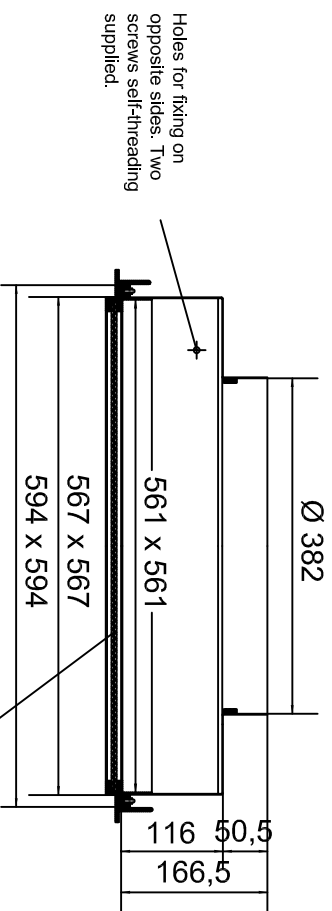
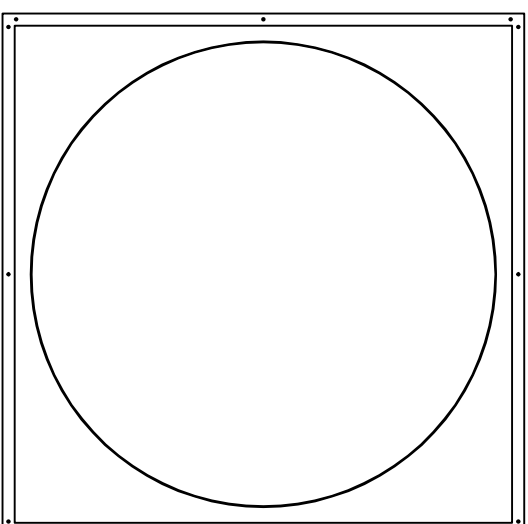


# TD 9: METAL TRANSITION BOXES

METAL TRANSITION BOX  
 Ø 375 cod. 38VULRT60R



METAL TRANSITION BOX  
 Ø 530 cod. 53VULRT60R



**N.B.: THE WHOLE COMPOSED BY METAL TRANSITION BOX AND SATINATED GLASS HAS CLASSIFICATION FOR FIRE REACTION M1 (FRENCH CLASSIFICATION), CORRESPONDING TO THE EUROPEAN CLASSIFICATION:**

- B s1 d0
- B s2 d1
- B s3
- A2 s2 d0
- A2 s3 d1

STRATIFIED SATINATED GLASS 33.1 SAINT GOBAIN



Via Milano, 96 / a - 21034 Cocquio Trevisago (VA)  
 Tel. 0332/700137 Fax 0332/702098 - www.solarspot.it - info@solarspot.it  
 The company reserve, according to law, the ownership of this drawing: don't reproduce without our authorization